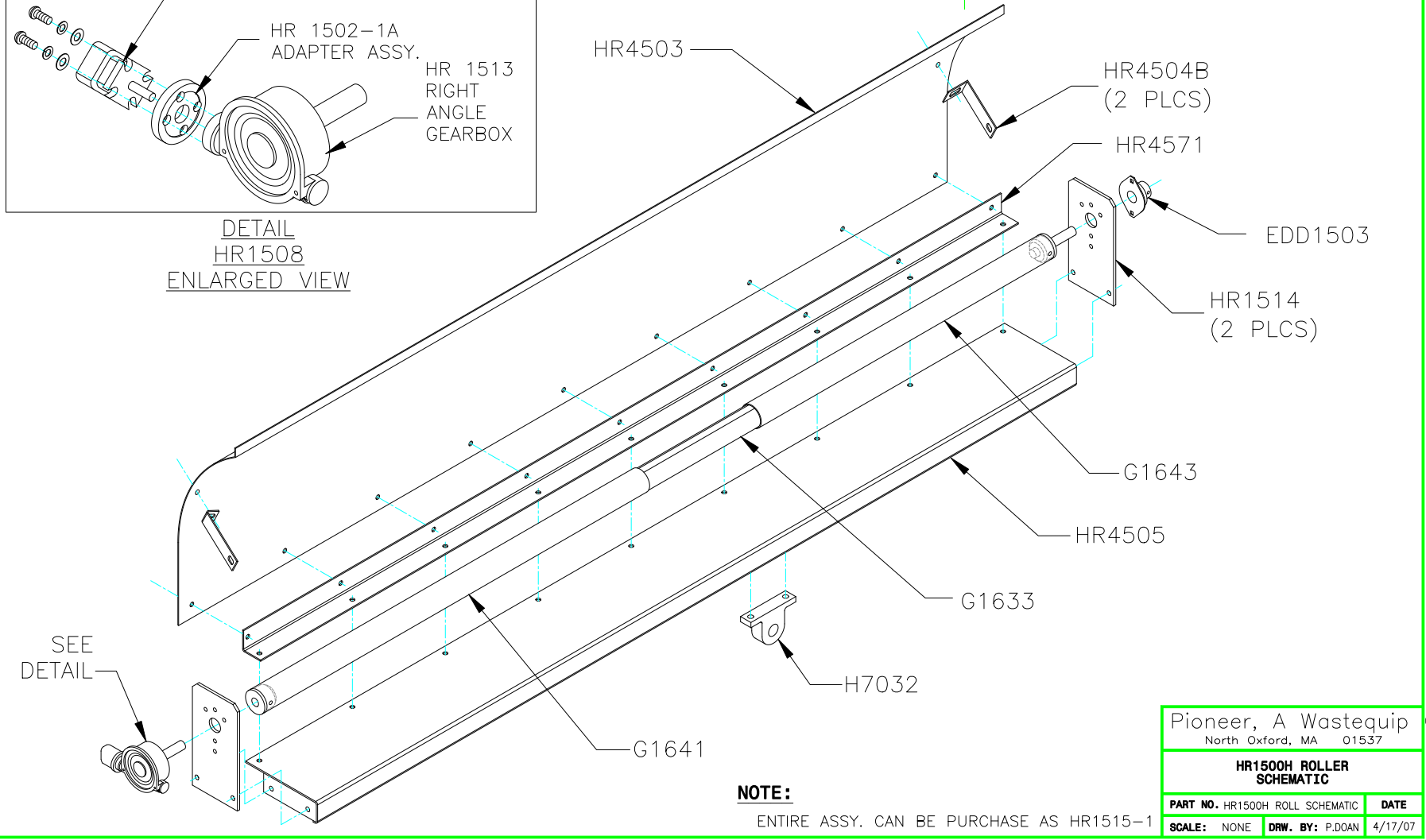


DETAIL
HR1508
ENLARGED VIEW

REVISIONS			
REV	DESCRIPTION	DATE	APPROVED
-	-	-	-



NOTE:
ENTIRE ASSY. CAN BE PURCHASE AS HR1515-1

Pioneer, A Wastequip Co.
North Oxford, MA 01537

**HR1500H ROLLER
SCHEMATIC**

PART NO. HR1500H ROLL SCHEMATIC	DATE
SCALE: NONE	DRW. BY: P.DOAN 4/17/07