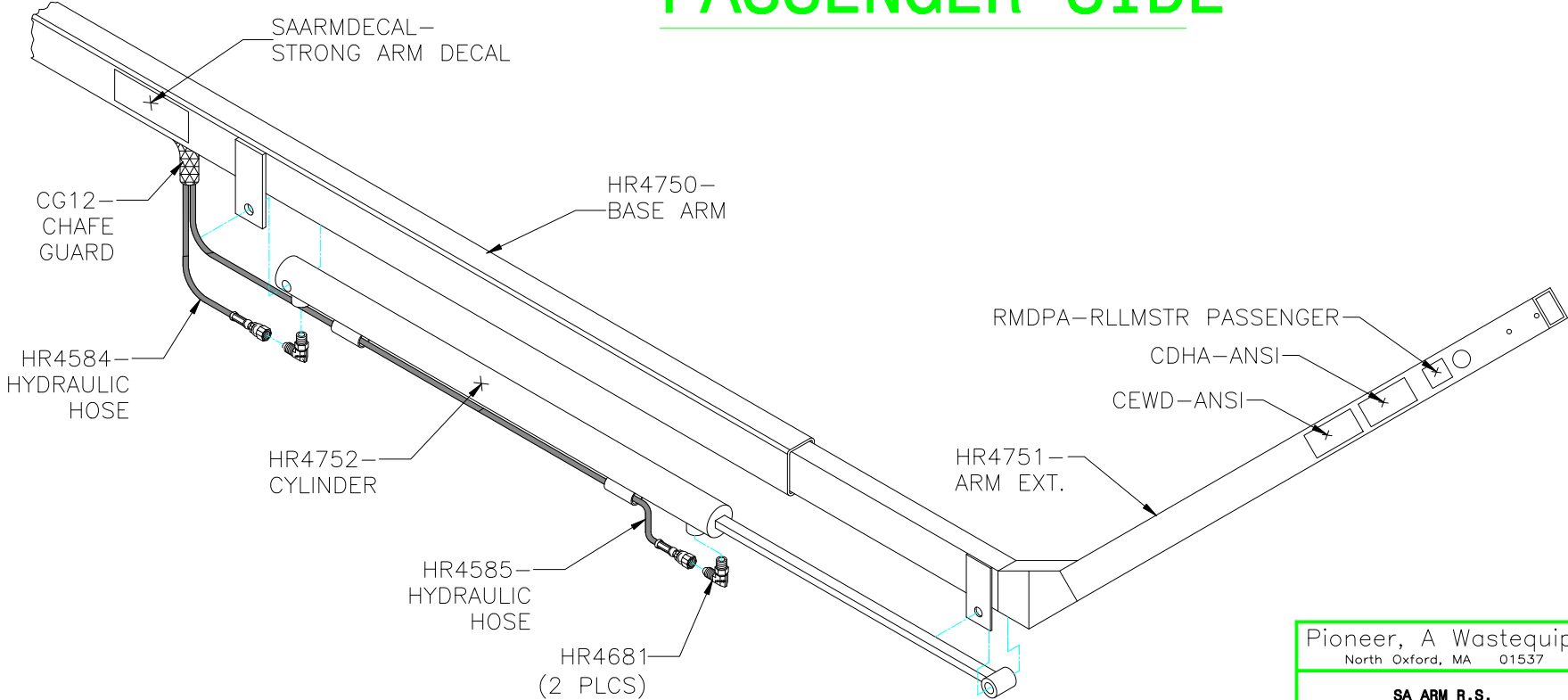


REVISIONS			
REV	DESCRIPTION	DATE	APPROVED
-	-	-	-

PASSENGER SIDE



Pioneer, A Wastequip Co.
 North Oxford, MA 01537

SA ARM R.S.

PART NO.	HR4766R	DATE	
SCALE:	NONE	DRW. BY:	P.DOAN 4/25/07