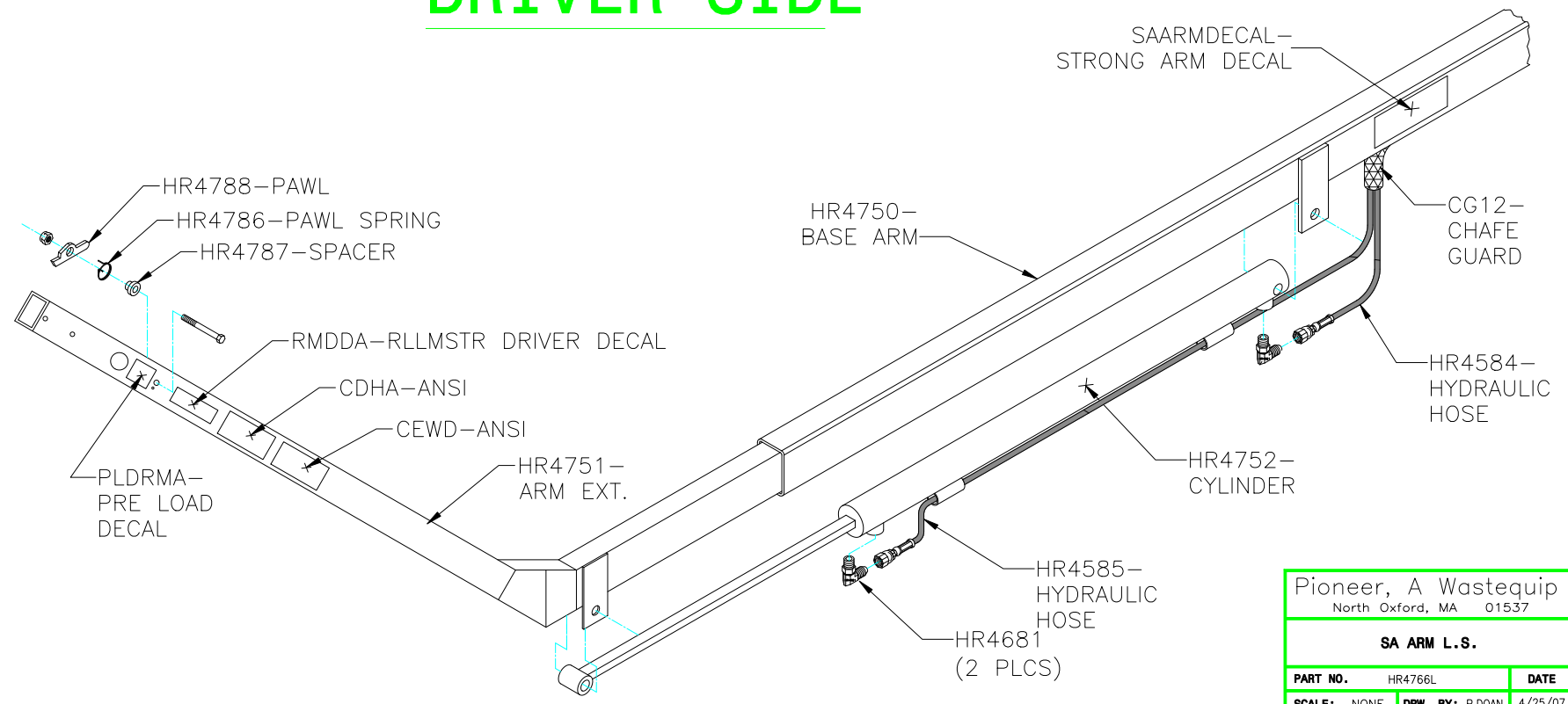


| REVISIONS | | | |
|-----------|-------------|------|----------|
| REV | DESCRIPTION | DATE | APPROVED |
| - | - | - | - |

DRIVER SIDE



Pioneer, A Wastequip Co.
 North Oxford, MA 01537

SA ARM L.S.

| | | |
|----------|---------|-------------------------|
| PART NO. | HR4766L | DATE |
| SCALE: | NONE | DRW. BY: P.DOAN 4/25/07 |