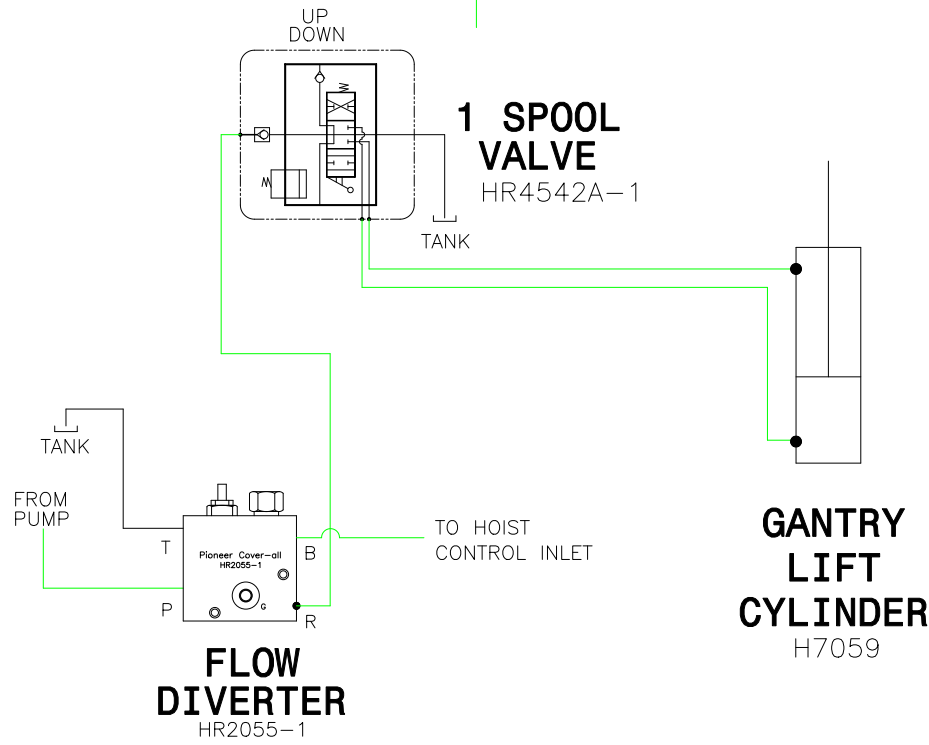
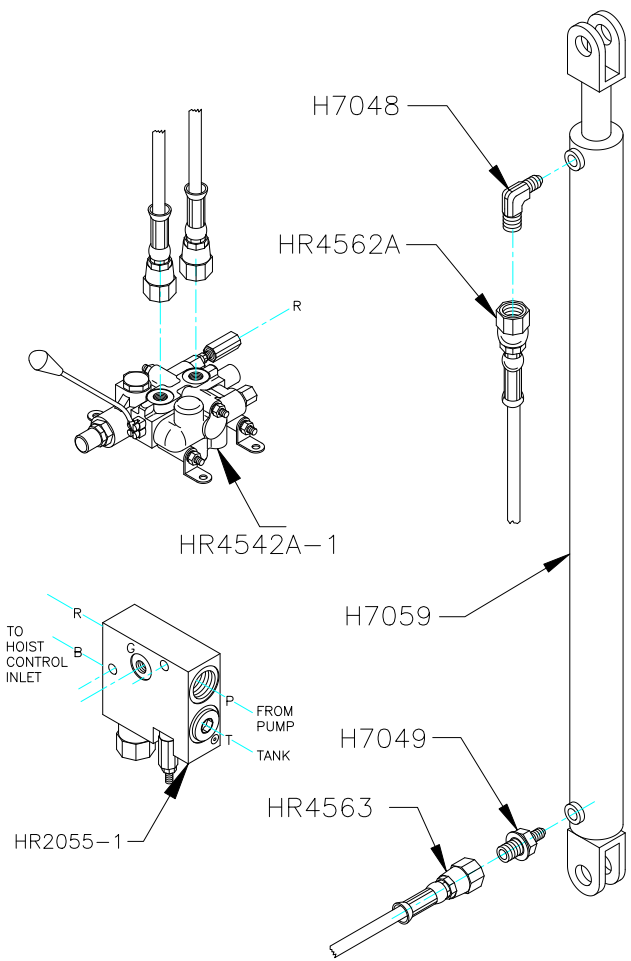


REVISIONS			
REV	DESCRIPTION	DATE	APPROVED
-	-	-	-



NOTE 1:
 SCHEMATIC SHOWN WITH RECOMMENDED, PRV RETURN LINE BACK TO TANK. PRV BACK TO TANK MUST BE USED FOR APPLICATIONS WHERE FLOW RATES GREATER THAN 30 G.P.M. EXIST, OPTIONAL FOR LESSER FLOW RATES. REFER TO NOTE 2 FOR CONVERSION INSTRUCTIONS.

NOTE 2:
 MANIFOLD IS SUPPLIED WITH INTERNAL PLUG PACKAGED SEPARATELY, AND THE "T" PORT PLUGGED (NO RETURN LINE BACK TO TANK). FOR MAXIMUM SYSTEM PROTECTION, PIONEER RECOMMENDS THAT THE RETURN LINE BACK TO TANK BE UTILIZED. APPLICATIONS WHERE FLOW RATES GREATER THAN 30 G.P.M. EXIST, THE RETURN LINE BACK TO TANK MUST BE EMPLOYED. TO INSTALL THE LINE BACK TO TANK:
 1) REMOVE THE DIVERTER VALVE.
 2) INSTALL THE INTERNAL PLUG THROUGH THE "B" PORT.
 3) REPLACE THE "T" PLUG WITH #16 SAE ADAPTER.
 4) REPLACE THE DIVERTER VALVE.

Pioneer, A Wastequip Co.
 North Oxford, MA 01537

HR1000PTO SCHEMATIC

PART NO.	HR1000PTO SCHEMATIC	DATE
SCALE:	NONE	DRW. BY: P.DOAN 4/10/07