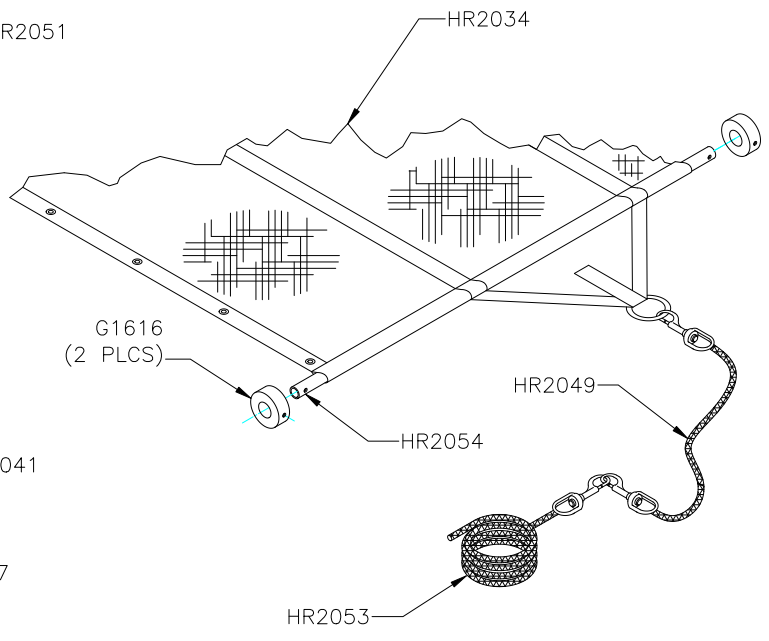
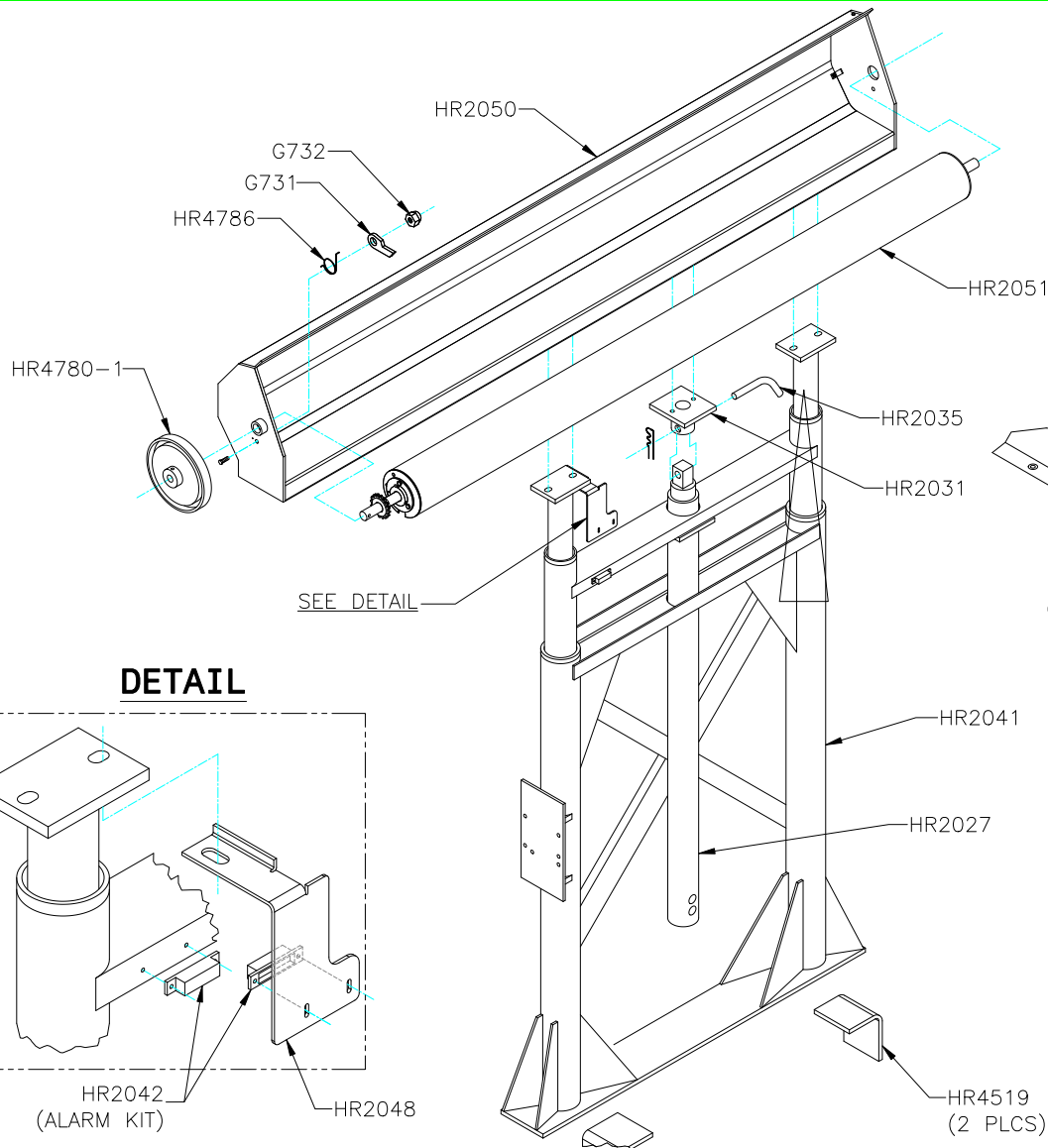


REVISIONS			
REV	DESCRIPTION	DATE	APPROVED
-	-	-	-



Pioneer, A Wastequip Co.
 North Oxford, MA 01537

**HR2000PP & PTO
 SCHEMATIC**

PART NO.	HR2000 SCHEMATIC	DATE
SCALE:	NONE	DRW. BY: P.DOAN 4/17/07