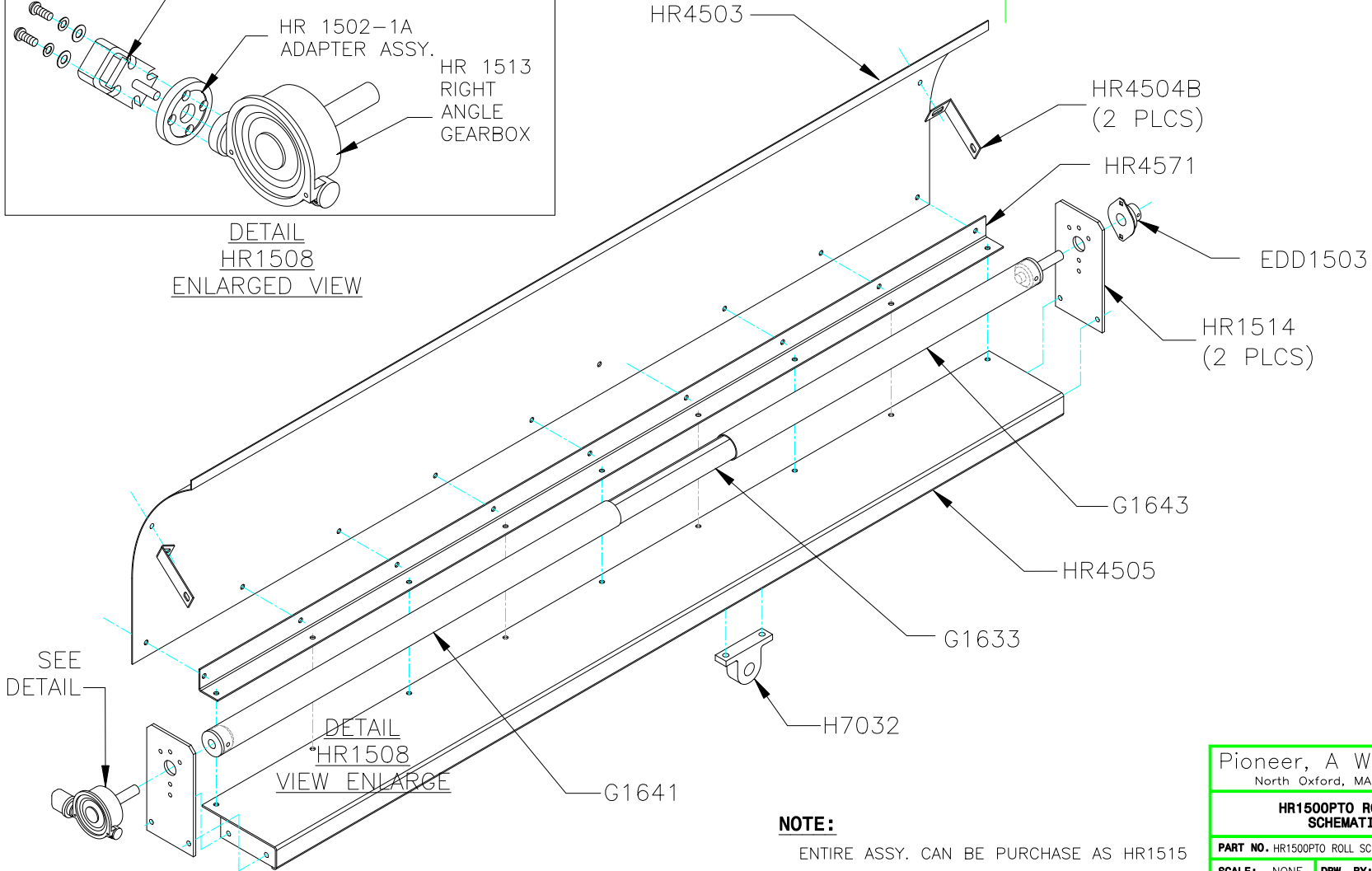


DETAIL  
HR1508  
ENLARGED VIEW

REVISIONS			
REV	DESCRIPTION	DATE	APPROVED
-	-	-	-



DETAIL  
HR1508  
VIEW ENLARGE

**NOTE:**  
ENTIRE ASSY. CAN BE PURCHASE AS HR1515

Pioneer, A Wastequip Co.  
North Oxford, MA 01537

**HR1500PTO ROLLER SCHEMATIC**

PART NO. HR1500PTO ROLL SCHEMATIC	DATE
SCALE: NONE	DRW. BY: P.DOAN 4/17/07