

HR4682 * (2) STRAIGHT ADAPTERS
-6 SAE O-RING M x -6 JIC M

HR4681 * (1) 90 DEG ELL
-6 SAE O-RING M x -6 JIC M

* (2) SWIVEL 90 DEG. ELLS HR4683
-6 JIC M x -6 JIC F

(2) HOSES 16 FT. L -4 SAE 100 RI HR4584
W/ -6 JIC F STRAIGHT SWIVEL ENDS
CRIMP -1- END, REUSEABLE OTHER END

H7040-1 * FLOW DIVIDER/COMBINER

(4) 90 DEG. ELLS H7048
3/8 NPT M x -6 JIC M

HR4618 (2) HOSES 12 FT. L -4 SAE 100 RI
W/ -6 JIC F STRAIGHT SWIVEL ENDS
CRIMP -1- END, REUSEABLE OTHER END

TA ARM
CYLINDERS HR4579
30" STROKE
IN - OUT

(2) HOSES 18" L -4 SAE 100 RI
W/ -6 JIC F STRAIGHT SWIVEL ENDS
CRIMPED BOTH ENDS
HR4621

(2) HOSES 19 FT. L -4 SAE 100 RI HR4585
W/ -6 JIC F STRAIGHT SWIVEL ENDS
CRIMP -1- END, REUSEABLE OTHER END

(1) TEE -6M x -6M x -6M JIC HR4684

CROSSOVER RELIEF KIT HR4549
CONTROLS PRESSURE REQUIRED
TO MOVE ARMS IN & OUT

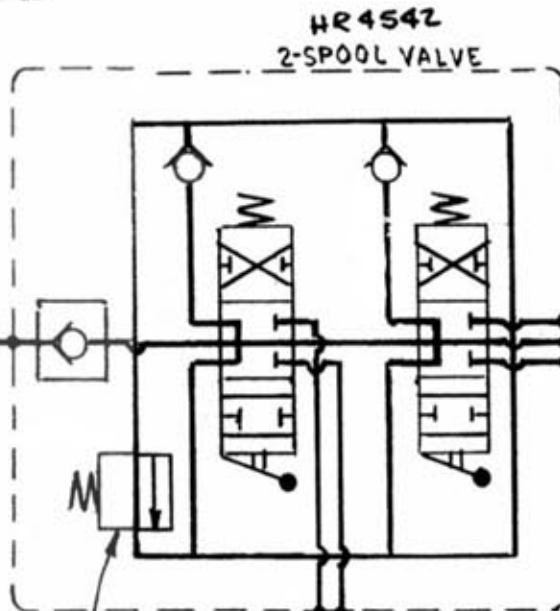
TO HOIST INLET

LINES NOT PROVIDED

TO TANK

FLOW DIVERTER
HR9591

PRV KIT
SET FOR 100 PSI
GREATER THAN
HOIST PRESSURE
HR4543



PRY ON VALVE
CONTROLS PRESSURE
REQUIRED TO MOVE
ARMS FRONT & REAR

TO TANK
LINE NOT PROVIDED

(4) 90 DEG. ELLS
1/4 NPT M x -6 JIC M
HR4553

(2) HOSES 11 FT. L -4 SAE 100 RI HR4619
W/ -6 JIC F STRAIGHT SWIVEL ENDS
CRIMP -1- END, REUSEABLE OTHER END

RE-USEABLE FITTINGS
HR4685

ARM MOVEMENT
CYLINDERS H7039
24" STROKE
COVER-UNCOVER

(2) HOSES 12 FT. L -4 SAE 100 RI
W/ -6 JIC F STRAIGHT SWIVEL ENDS
CRIMP -1- END, REUSEABLE OTHER END
HR4618

(2) HOSES 9 FT. L -4 SAE 100 RI
W/ -6 JIC F STRAIGHT SWIVEL ENDS
CRIMP -1- END, REUSEABLE OTHER END
HR4620

Part No. H 7002 c

